



U.S. Department  
of Transportation

**National Highway  
Traffic Safety  
Administration**

400 Seventh Street, S.W.  
Washington, D.C. 20590

Dear Crash Data Researchers/Users:

Thank you for choosing crash data from the National Highway Traffic Safety Administration (NHTSA) for your research or other use. The information contained in this motor vehicle crash report is collected, maintained and distributed in accordance with Public Law 89-564. In accordance with this Public Law, NHTSA is required not to release any case information until completion of quality control procedures. These procedures include a review of the case material to extract all names, licenses and registration numbers, non-coded interview material, non-research related researcher comments in the margins, non-factual data, and the production number portion of the vehicle identification number (VIN).

If you requested NHTSA to query its database files in order to identify a specific crash, then that query was made using non-personal descriptors you provided for use in our search. This motor vehicle crash may have been identified from a data search and matches the general, non-personal descriptors you provided, but we cannot confirm that this is the specific crash report you requested.

If you have any questions with regard to the above procedures, please contact the Field Operations Branch, Crash Investigation Division, National Center for Statistics and Analysis at 202-366-4820. Again, please be advised that we cannot confirm that this is the case that you have specifically requested nor can we certify the information to be correct.

\*\*\* \*\*



AUTO SAFETY HOTLINE  
(800) 424-9393  
Wash. D.C. Area 366-0123



PSU 82 CASE NO. 636P TYPE OF ACCIDENT Car turning right / Pedestrian walking

**A. DESCRIPTION OF THE ACCIDENT SEQUENCE AND ACCIDENT PECULIARITIES**

(Provide a summary of the accident sequence as well as any particular event of the accident that is noteworthy. Pedestrian injury mechanism and vehicle interaction is the focus, not pedestrian or driver culpability. Do not include any personal identifiers.)

Vehicle one was eastbound on a two lane two way street and making a right turn at an intersection. A pedestrian was crossing westbound when the front of vehicle one impacted the pedestrian. The pedestrian attempted to extend and brace with her right arm at impact. The driver of vehicle one initially tried to swerve left to avoid the pedestrian. The pedestrian was knocked down and ended up next to the right front tire of Vehicle one as it came to a post impact abrupt stop.

**B. PEDESTRIAN PROFILE**

Pedestrian No.	Age	Sex	Treatment/ Mortality	Most Severe Injury (TO BE COMPLETED BY ZONE CENTER)			
				Body Region	Ana. Struc.	AIS	Injury Source
01	59	Female	Treated/ Released	Left elbow	Laceration	1	ground

Body Region	Type of Anatomic Structure	Abbreviated Injury Scale
Head	Whole Area	(1) Minor injury
Face	Vessels	(2) Moderate injury
Throat	Nerves	(3) Serious injury
Chest	Organs	(4) Severe injury
Abdomen/Pelvis	Skeletal	(5) Critical injury
Spine	Head-LOC	(6) Maximum (untreatable)
Upper Extremity	Skin-Burn	(7) Injured, unknown severity
Lower Extremity	Skin-Other	
External		

**C. VEHICLE PROFILE**

Vehicle No.	Class of Vehicle	Year/Make/Model	Most Severe Damage Based on Vehicle Inspection	
			Damage Plane	Damage Description
01	Full Size	96/Mercury/Cougar	Front	Minor - Scratches, Scuffs

**DO NOT SANITIZE THIS FORM**



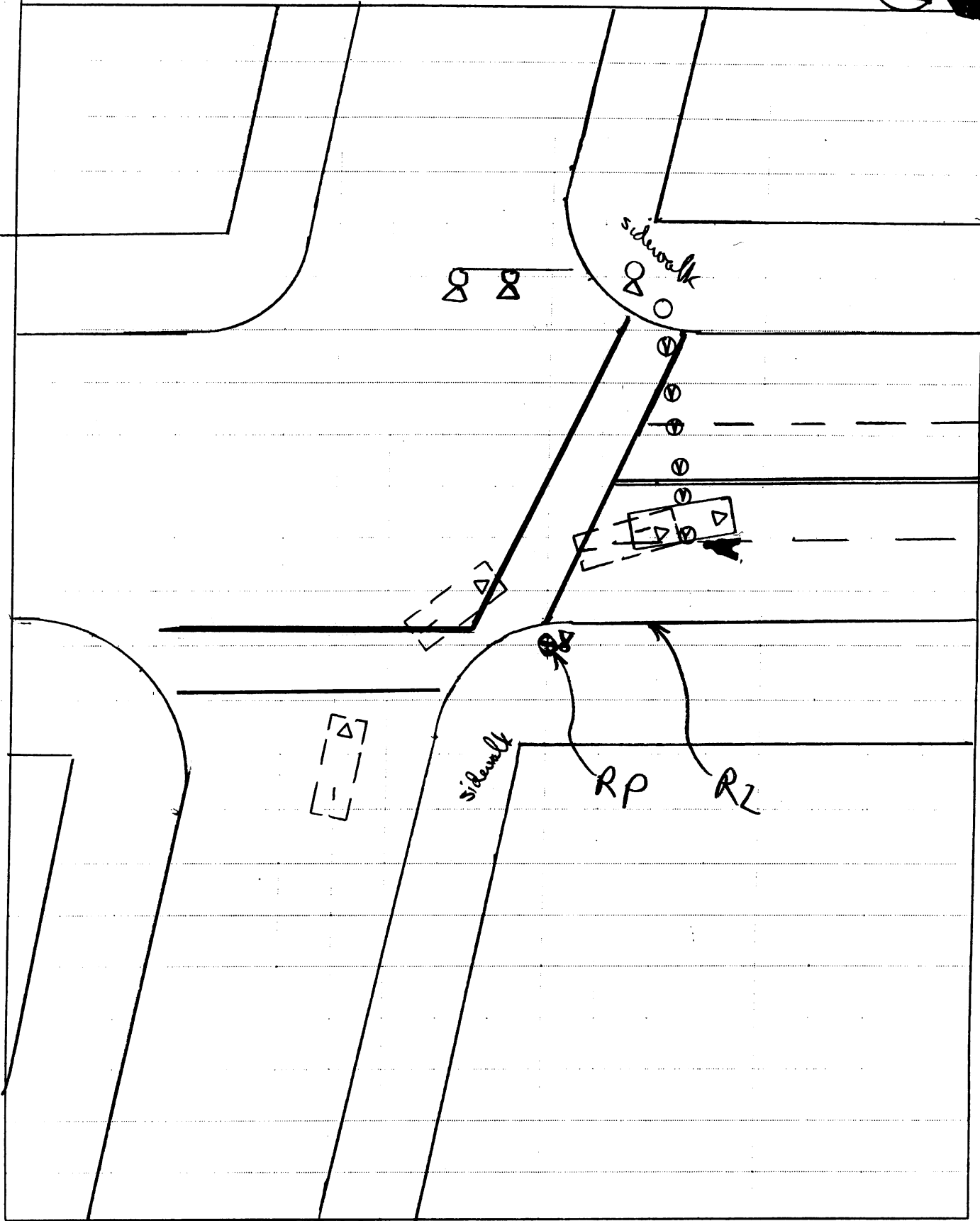
U.S. Department of Transportation  
 National Highway Traffic Safety  
 Administration

# ACCIDENT COLLISION DIAGRAM

NATIONAL ACCIDENT SAMPLING SYSTEM  
 PEDESTRIAN CRASH DATA STUDY

PSU No. 22  
 Case Number - Stratum 636 P

Indica  
 North





# PEDESTRIAN ACCIDENT COLLISION MEASUREMENT TABLE

Primary Sampling Unit Number 82

Case Number-Stratum 636P

PEDESTRIAN ACCIDENT COLLISION DATA COLLECTION		SCALED DIAGRAM
<ul style="list-style-type: none"> <li>document reference point and reference line relative to physical features</li> </ul>	Surface Type <u>Asphalt</u>	<ul style="list-style-type: none"> <li>north arrow placed on diagram</li> </ul>
<ul style="list-style-type: none"> <li>documentation of all accident induced physical evidence including (if applicable):               <ul style="list-style-type: none"> <li>a) vehicle skid marks</li> <li>b) pedestrian contacts with ground or object</li> <li>c) vehicle/pedestrian point of impact (POI)</li> <li>d) location of pedestrian separation point from vehicle</li> <li>f) final resting points (FRP) for pedestrian and vehicle</li> </ul> </li> </ul>	Surface Condition <u>Dry</u> Coefficient of Friction <u>.60</u>  Grade (v/h) Measurement a) at impact <u>4/122</u> b) between impact and final rest <u>4/122</u>	<ul style="list-style-type: none"> <li>grade measurements for all applicable roadways</li> <li>scaled representations of the physical plant including:               <ul style="list-style-type: none"> <li>a) all road/roadway delineation (e.g., crosswalks, curb/edge lines, lane markings, medians, pavement markings, parked vehicles, poles, signs, etc.)</li> <li>b) all traffic controls (e.g., lights, signs)</li> </ul> </li> </ul>
<ul style="list-style-type: none"> <li>documentation of the physical plant including:               <ul style="list-style-type: none"> <li>a) all road/roadway delineation (e.g., crosswalks, curb/edge lines, lane markings, medians, pavement markings, parked vehicles, poles, signs, etc.)</li> <li>b) all traffic controls (e.g., lights, signs)</li> </ul> </li> </ul>	Pedestrian Travel Direction <u>West</u> Vehicle Travel Direction <u>East/Southeast</u> Number of Travel Lanes <u>2</u>	<ul style="list-style-type: none"> <li>scaled representations of the vehicle and pedestrian at pre-impact, impact, and final rest based upon either:               <ul style="list-style-type: none"> <li>a) physical evidence, or</li> <li>b) reconstructed accident dynamics</li> </ul> </li> </ul>

Reference Point: Light Pole on S.W. corner of intersection

Reference Line: West Curb Edge

Item	Distance and Direction from Reference Point	Distance and Direction from Reference Line
<u>P.O.I. ≈ Approx</u>	<u>7.0 S</u>	
<u>Final Rest Point (VI)</u>	<u>9.0 S</u>	
<u>- Reaction steering left, then post impact braking</u>		



# PEDESTRIAN ACCIDENT COLLISION MEASUREMENT TABLE

Primary Sampling Unit Number 82

Case Number—Stratum 6 36 P

PEDESTRIAN ACCIDENT COLLISION DATA COLLECTION		SCALED DIAGRAM
<p>* document reference point and reference line relative to physical features</p> <p>* documentation of all accident induced physical evidence including (if applicable):</p> <p>a) vehicle skid marks</p> <p>b) pedestrian contacts with ground or object</p> <p>c) vehicle/pedestrian point of impact (POI)</p> <p>d) location of pedestrian separation point from vehicle</p> <p>f) final resting points (FRP) for pedestrian and vehicle</p> <p>* documentation of the physical plant including:</p> <p>a) all road/roadway delineation (e.g., crosswalks, curbs/edge lines, lane markings, medians, pavement markings, parked vehicles, poles, signs, etc.)</p> <p>b) all traffic controls (e.g., lights, signs)</p>	<p>Surface Type: <u>BIT</u></p> <p>Surface Condition: <u>Dry</u></p> <p>Coefficient of Friction: <u>.60</u></p> <p>Grade (v/h) Measurement:</p> <p>a) at impact: _____</p> <p>b) between impact and final rest: _____</p> <p>Pedestrian Travel Direction: _____</p> <p>Vehicle Travel Direction: _____</p> <p>Number of Travel Lanes: _____</p>	<p>* north arrow placed on diagram</p> <p>* grade measurements for all applicable roadways.</p> <p>* scaled representations of the physical plant including:</p> <p>a) all road/roadway delineation (e.g., crosswalks, curbs/edge lines, lane markings, medians, pavement markings, parked vehicles, poles, signs, etc.)</p> <p>b) all traffic controls (e.g., lights, signs)</p> <p>* scaled representations of the vehicle and pedestrian at pre-impact, impact, and final rest based upon either:</p> <p>a) physical evidence, or</p> <p>b) reconstructed accident dynamics</p>

Reference Point: Light Pole  
at SW corner

Reference line: West Curb Edge

Item	Distance and Direction from Reference Point	Distance and Direction from Reference Line

# 636P

VI Fand 9.05  
 Fnd 108

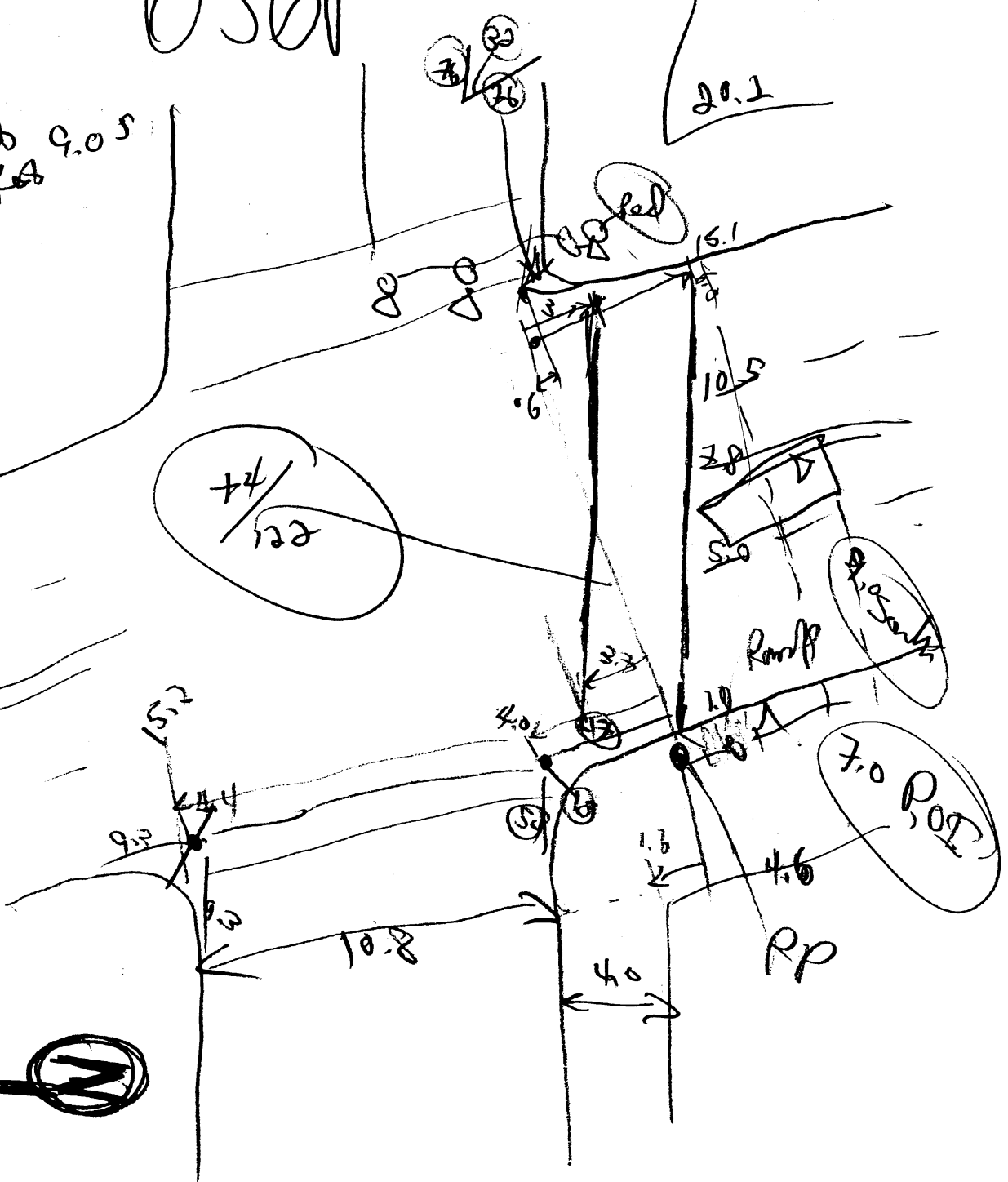
20.1

44/44

Ramp

7.0 P.O.T.

Rp





**PEDESTRIAN ACCIDENT FORM** NATIONAL ACCIDENT SAMPLING SYSTEM  
PEDESTRIAN CRASH DATA STUDY

1. Primary Sampling Unit Number 82  
2. Case Number - Stratum 636 P

**IDENTIFICATION**

3. Number of General Vehicle Forms Submitted 0 1  
4. Date of Accident (Month, Day, Year) 9 4  
5. Time of Accident 0914  
Code reported military time of accident.  
NOTE: Midnight = 2400  
Unknown = 9999

**SPECIAL STUDIES - INDICATORS**

Check (✓) each special study (SS15-SS19 below) that has been completed; code 1 for the checked special studies and 0 for the special studies not checked.

6. \_\_\_ SS15 Administrative Use 0  
7.  SS16 Pedestrian Crash Data Study 1  
8. \_\_\_ SS17 Impact Fires 0  
9. \_\_\_ SS18 \_\_\_\_\_ 0  
10. \_\_\_ SS19 \_\_\_\_\_ 0

**NUMBER OF EVENTS**

11. Number of Recorded Events in This Accident 0 1

**PEDESTRIAN STUDY CRITERIA**

**Pedestrian Definition:**

Any person who is on a trafficway or on a sidewalk or path contiguous with a trafficway, or on private property (e.g., parking lot). Note: Pedestrians include persons who are in contact with the ground, roadway, etc. and are pushing carts, wagons, etc. or holding on to a vehicle.

Persons in or on a nonmotorist conveyance are not pedestrians and are excluded from this study. A nonmotorist conveyance is defined as any human powered device by which a pedestrian or nonmotorist may move, or by which a pedestrian or nonmotorist may move another nonmotorist. A nonmotorist conveyance for purposes of this study includes the following: bicycles, baby carriages, roller skates/blades, push carts, scooters, wheelchairs, animals, etc. For example, persons on a bicycle/scooter, roller skating/blading, in a baby carriage/push cart/wheelchair or on a horse are excluded.

**Case Selection Criteria:**

A forward moving, late model year (VEH04 equals 90 to 95) CDS applicable vehicle (VEH07 equals 01 to 49) must strike a pedestrian.

The striking portion of the vehicle structure must be original equipment manufacturer (OEM) without previous damage and or parts removed in the impact area. For example, vehicles equipped with deer guards, winches, snow plows, etc. or previously damaged in the impact area are excluded.

The pedestrian may not be lying or sitting.

The pedestrian impact(s) are the vehicle's only impact(s). If multiple pedestrians are impacted, each pedestrian shall be a separate case.

The first point of contact between the late model year, CDS applicable vehicle and the pedestrian must be forward of the top of the A pillar.

**PEDESTRIAN ACCIDENT EVENTS**

Accident Event Sequence Number	Vehicle Number	Class Of Vehicle	General Area of Damage	Vehicle Number or Object Contacted	Class Of Vehicle	General Area of Damage
12. <u>0</u> <u>1</u>	13. <u>0</u> <u>1</u>	14. <u>04</u>	15. <u>E</u>	16. <u>7</u> <u>2</u>	17. <u>0</u> <u>0</u>	18. <u>0</u>

### CODES FOR CLASS OF VEHICLE

- (00) Not a motor vehicle
- (01) Subcompact/mini (wheelbase < 254 cm)
- (02) Compact (wheelbase ≥ 254 but < 265 cm)
- (03) Intermediate (wheelbase ≥ 265 but < 278 cm)
- (04) Full size (wheelbase ≥ 278 but < 291 cm)
- (05) Largest (wheelbase ≥ 291 cm)
- (09) Unknown passenger car size
- (11) Compact utility vehicle
- (12) Large utility vehicle (≤ 4,500 kgs GVWR)
- (13) Passenger van (≤ 4,500 kgs GVWR)
- (14) Other van (≤ 4,500 kgs GVWR)
- (15) Pickup truck (≤ 4,500 kgs GVWR)
- (18) Other truck (≤ 4,500 kgs GVWR)
- (19) Unknown light truck type

### CODES FOR GENERAL AREA OF DAMAGE (GAD)

#### CDS APPLICABLE VEHICLES

- (F) Front
- (R) Right side
- (L) Left side
- (U) Undercarriage
- (9) Unknown

### CODES FOR VEHICLE NUMBER OR OBJECT CONTACTED

#### Collision with Nonfixed Object

- (72) Pedestrian



# PEDESTRIAN ASSESSMENT FORM

1. Primary Sampling Unit Number 82

2. Case Number - Stratum 6 36 P

3. Pedestrian Number 0 1

10. Pedestrian's Weight 089  
Code actual weight to the nearest kilogram.  
(999) Unknown

195 pounds X .4536 = \_\_\_\_\_ kilograms

## PEDESTRIAN'S CHARACTERISTICS

4. Pedestrian's Age 59  
Code actual age at time of accident.  
(00) Less than one year old (specify by month): \_\_\_\_\_  
(97) 97 years and older  
(99) Unknown

5. Pedestrian's Sex 2  
(1) Male  
(2) Female - not reported pregnant  
(3) Female - pregnant-1st trimester (1st-3rd month)  
(4) Female - pregnant-2nd trimester (4th-6th month)  
(5) Female - pregnant-3rd trimester (7th-9th month)  
(6) Female - pregnant-term unknown  
(9) Unknown

6. Pedestrian's Overall Height 165  
Code actual height to the nearest centimeter.  
(999) Unknown  
65 inches X 2.54 = \_\_\_\_\_ centimeters

7. Pedestrian's Height - Ground to Knee 47  
Code to the nearest centimeter.  
(999) Unknown  
99  
\_\_\_\_\_ inches X 2.54 = \_\_\_\_\_ centimeters

8. Pedestrian's Height - Ground to Hip 087  
Code to the nearest centimeter.  
(999) Unknown  
999  
\_\_\_\_\_ inches X 2.54 = \_\_\_\_\_ centimeters

9. Pedestrian's Height - Ground to Shoulder 135  
Code to the nearest centimeter.  
(999) Unknown  
999  
\_\_\_\_\_ inches X 2.54 = \_\_\_\_\_ centimeters

## PEDESTRIAN'S PRE-AVOIDANCE ACTIONS

11. Pedestrian Attitude 1  
(1) Standing  
(2) Crouching  
(3) Kneeling  
(4) Bending at waist  
(8) Other (specify): \_\_\_\_\_  
(9) Unknown

12. Pedestrian Motion 1  
(0) Not moving  
(1) Walking slowly  
(2) Walking rapidly  
(3) Running or jogging  
(4) Hopping  
(5) Skipping  
(6) Jumping  
(7) Falling/stumbling or rising  
(8) Other (specify): \_\_\_\_\_  
(9) Unknown

13. Pedestrian's Action Relative to Vehicle 02  
(00) Stopped  
(01) Crossing road, straight  
(02) Crossing road, diagonally  
(03) Moving in road, with traffic  
(04) Moving in road, against traffic  
(05) Off road, approaching road  
(06) Off road, going away from road  
(07) Off road, moving parallel  
(08) Off road, crossing driveway  
(09) Off road, moving along driveway  
(98) Other (specify): \_\_\_\_\_  
(99) Unknown

14. Pedestrian's Body (Chest) Orientation Relative to Striking Vehicle Prior to Avoidance Actions 4  
(1) Facing vehicle  
(2) Facing away  
(3) Left side to vehicle  
(4) Right side to vehicle  
(8) Other (specify): \_\_\_\_\_  
(9) Unknown

2-C of chart

**PEDESTRIAN'S AVOIDANCE ACTIONS**

15. Pedestrian's First Avoidance Actions 13

- (00) No avoidance actions
- (01) Stopped
- (02) Accelerated pace
- (03) Ran away (along vehicle path)
- (04) Jumped
- (05) Turned toward vehicle
- (06) Turned away from vehicle
- (07) Dove or fell away

Used hand(s) to :

- (11) Vault corner of vehicle
- (12) Vault onto vehicle
- (13) Brace against vehicle
- (14) Crouched and braced hands against vehicle
- (98) Other (specify): \_\_\_\_\_
- (99) Unknown

**PEDESTRIAN'S ORIENTATION AT IMPACT**

16. Pedestrian's Head Orientation at Initial Impact 3

- (1) To front
- (2) To left
- (3) To right
- (4) Up
- (5) Down
- (8) Other (specify): \_\_\_\_\_
- (9) Unknown

17. Pedestrian's Body (Chest) Orientation at Initial Impact 4

- (1) Facing vehicle
- (2) Facing away
- (3) Left side to vehicle
- (4) Right side to vehicle
- (8) Other (specify): \_\_\_\_\_
- (9) Unknown

18. Pedestrian's Arm Orientation at Initial Impact 07

- (01) At sides
- (02) Folded across chest
- (03) Hands clasped behind back
- (04) Hands on hips
- (05) Hands in pockets

One or both arms:

- (06) Extended upward
- (07) Extended to side
- (08) Extended forward bracing
- (09) Extended, holding object (briefcase, suitcase, etc.)
- (10) Holding object (young child, grocery bag, etc.) in arm(s)
- (11) Holding object (young child, grocery bag, etc.) on shoulder(s) or head
- (98) Other (specify): \_\_\_\_\_
- (99) Unknown

19. Pedestrian's Leg Orientation at Initial Impact 99

- (01) Together
- (02) Apart-laterally
- (03) Apart-right leg forward
- (04) Apart-left leg forward
- (05) Apart- forward leg unknown
- (06) Left foot off the ground
- (07) Right foot off the ground
- (08) Both feet off the ground
- (98) Other (specify): \_\_\_\_\_
- (99) Unknown

20. Vehicle/Pedestrian's Interaction 10

- (01) Carried by vehicle, wrapped position
- (02) Carried by vehicle, slid to windshield
- (03) Carried by vehicle, position unknown
- (04) Passed over vehicle top
- (05) Thrown straight forward
- (06) Thrown forward and left of vehicle
- (07) Thrown forward and right of vehicle
- (08) Knocked to pavement, forward
- (09) Knocked to pavement, left of vehicle
- (10) Knocked to pavement, right of vehicle
- (11) Knocked to pavement, run over or dragged by vehicle
- (12) Shunted to left (corner impacts only)
- (13) Shunted to right (corner impacts only)
- (14) Bumped or pushed aside
- (15) Snagged, rotated
- (16) Snagged, dragged by vehicle
- (17) Foot or legs run over
- (98) Other (specify): \_\_\_\_\_
- (99) Unknown

*Fender vault*

OFFICIAL RECORDS

INJURY CONSEQUENCES

21. Police Reported Alcohol Presence For Pedestrian

- (0) No alcohol present
- (1) Yes alcohol present
- (7) Not reported
- (9) Unknown

0

22. Alcohol Test Result For Pedestrian Code actual value (decimal implied before first digit—0.xx)

- (95) Test refused
- (96) None given
- (97) AC (Alcohol Content) test performed, results unknown
- (99) Unknown if test given

96

Source: PAR

23. Police Reported Other Drug Presence For Pedestrian

- (0) No other drug(s) present
- (1) Yes other drug(s) present
- (7) Not reported
- (9) Unknown

0

24. Other Drug Specimen Test Result For Pedestrian

- (0) No specimen test given
- (1) Drug not found in specimen
- (2) Drug found in specimen, (specify): \_\_\_\_\_
- (3) Specimen test given, results unknown or not obtained
- (9) Unknown

0

25. Injury Severity (Police Rating)

- (0) O - No injury
- (1) C - Possible injury
- (2) B - Nonincapacitating injury
- (3) A - Incapacitating injury
- (4) K - Killed
- (5) U - Injury, severity unknown
- (6) Died prior to accident
- (9) Unknown

0

per Manual

26. Treatment - Mortality

- (0) No treatment
- (1) Fatal
- (2) Fatal - ruled disease (specify): \_\_\_\_\_

1

Nonfatal

- (3) Hospitalization
- (4) Transported and released
- (5) Treatment at scene - non-transported
- (6) Treatment later
- (8) Treatment - other (specify): \_\_\_\_\_
- (9) Unknown

27. Type Of Medical Facility (for Initial Treatment)

- (0) Not treated at a medical facility
- (1) Trauma center
- (2) Hospital
- (3) Medical clinic
- (4) Physician's office
- (5) Treatment later at medical facility
- (8) Other (specify): \_\_\_\_\_
- (9) Unknown

2

28. Hospital Stay

- (00) Not Hospitalized
- \_\_\_\_\_ Code the number of days (up through 60) that the pedestrian stayed in a hospital.
- (61) 61 days or more
- (99) Unknown

00

29. Working Days Lost

- \_\_\_\_\_ Code the number of days (up through 60) that the pedestrian lost from work due to the accident
- (00) No working days lost
- (61) 61 days or more
- (62) Fatally injured
- (97) Not working prior to accident
- (99) Unknown

00

**STOP - VARIABLES 30 THROUGH 37 ARE COMPLETED BY THE ZONE CENTER**

30. Glasgow Coma Scale (GCS) Score 02  
 (at Medical Facility)  
 (00) Not injured  
 (01) Injured - not treated at medical facility  
 (02) No GCS Score at medical facility  
 (03-15) Code the actual value of the initial GCS Score recorded at medical facility.  
 (97) Injured, details unknown  
 (99) Unknown if injured

31. Was the Pedestrian Given Blood? 1  
 (1) No - blood not given  
 (2) Yes - blood given (specify units): \_\_\_\_\_  
 (9) Unknown if blood given

32. Arterial Blood Gases (ABG) - HCO<sub>3</sub> 01  
 (00) Not injured  
 (01) Injured, ABGs not measured or reported  
 (02-50) Code the actual value of the HCO<sub>3</sub>  
 (96) ABGs reported, HCO<sub>3</sub> unknown  
 (97) Injured, details unknown  
 (99) Unknown if injured

33. Time to Death 00  
 \_\_\_\_\_ Code number of hours from time of accident to time of death up through 24 hours. If time of death is greater than 24 hours, code number of days. (Note: 1 day = 31, 2 days = 32, ... n days = 30 + n up through 30 days = 60)  
 (00) Not fatal  
 (96) Fatal - ruled disease  
 (99) Unknown

34. 1st Medically Reported Cause of Death 00

35. 2nd Medically Reported Cause of Death 00

36. 3rd Medically Reported Cause of Death 00

\_\_\_\_\_ Code the Pedestrian Injury from line number(s) for the medically reported injury(s) which reportedly contributed to this pedestrian's death

(00) Not fatal or no additional causes  
 (96) Mode of death given but specific injuries are not linked to cause of death. (specify): \_\_\_\_\_

(97) Other result (includes fatal ruled disease) (specify): \_\_\_\_\_

(99) Unknown

37. Number of Recorded Injuries for This Pedestrian 05

\_\_\_\_\_ Code the actual number of injuries recorded for this pedestrian.

(00) No recorded injuries  
 (97) Injured, details unknown  
 (99) Unknown if injured

ARE ALL APPLICABLE MEDICAL RECORDS INCLUDED WITH INITIAL SUBMISSION?

NO [ ] YES

UPDATE CANDIDATE? NO  YES [ ]



# PEDESTRIAN INJURY FORM

1. Primary Sampling Unit Number <span style="float:right; font-size: 1.5em;">82</span>	3. Pedestrian Number <span style="float:right; font-size: 1.5em;">0 1</span>
2. Case Number - Stratum <span style="float:right; font-size: 1.5em;">6 56 P</span>	4. Blank <span style="float:right; font-size: 1.5em;">X X</span>

## INJURY DATA

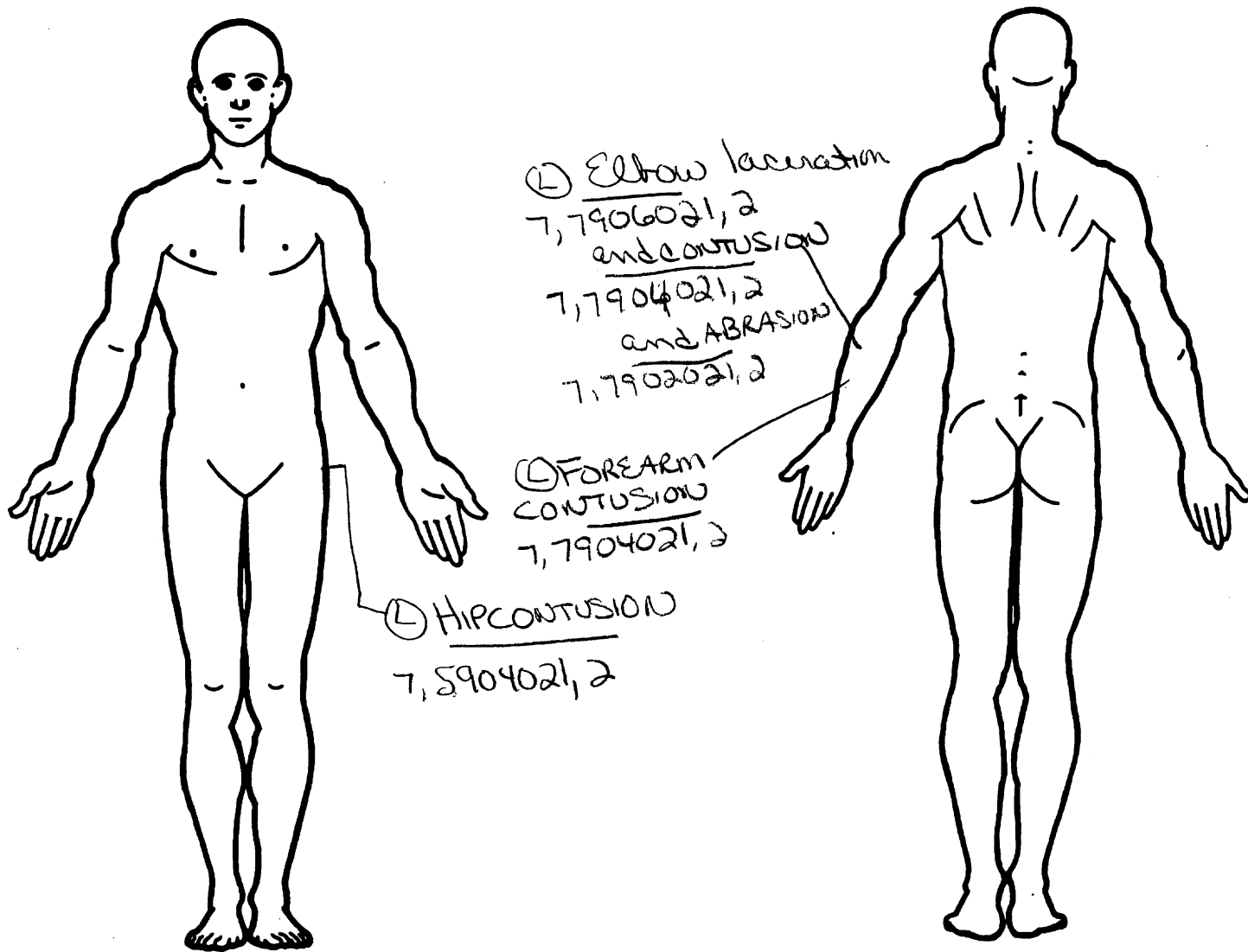
Record below the actual injuries sustained by this pedestrian in **CHRONOLOGICAL** order that were identified from the official and unofficial data sources. Remember not to double count an injury just because it was identified from two different sources. If greater than twenty-five injuries have been documented, encode the balance on the Pedestrian Injury Supplement.

	AIS-90							Injury Source	Injury Confidence Level	Direct/Indirect Injury	Striking Profile	Type Of Damage	Damage Depth
	Source of Injury Data	Body Region	Type of Anatomic Structure	Specific Anatomic Structure	Level of Injury	A.I.S. Severity	Aspect						
1st	5. 7	6. 7	7. 9	8. 06	9. 02	10. 1	11. 2	12. 947	13. 1	14. 1	15. 0	16. 0	17. 0
2nd	18. 7	19. 7	20. 9	21. 04	22. 02	23. 1	24. 2	25. 947	26. 1	27. 1	28. 0	29. 0	30. 0
3rd	31. 7	32. 7	33. 9	34. 02	35. 02	36. 1	37. 2	38. 947	39. 1	40. 1	41. 0	42. 0	43. 0
4th	44. 7	45. 7	46. 9	47. 04	48. 02	49. 1	50. 2	51. 947	52. 1	53. 1	54. 0	55. 0	56. 0
5th	57. 7	58. 5	59. 9	60. 04	61. 02	62. 1	63. 2	64. 947	65. 1	66. 1	67. 0	68. 0	69. 0
6th	70. ___	71. ___	72. ___	73. ___	74. ___	75. ___	76. ___	77. ___	78. ___	79. ___	80. ___	81. ___	82. ___
7th	83. ___	84. ___	85. ___	86. ___	87. ___	88. ___	89. ___	90. ___	91. ___	92. ___	93. ___	94. ___	95. ___
8th	96. ___	97. ___	98. ___	99. ___	100. ___	101. ___	102. ___	103. ___	104. ___	105. ___	106. ___	107. ___	108. ___
9th	109. ___	110. ___	111. ___	112. ___	113. ___	114. ___	115. ___	116. ___	117. ___	118. ___	119. ___	120. ___	121. ___
10th	122. ___	123. ___	124. ___	125. ___	126. ___	127. ___	128. ___	129. ___	130. ___	131. ___	132. ___	133. ___	134. ___



# OFFICIAL INJURY DATA — SOFT TISSUE INJURIES

Indicate the Location, Specific Anatomic Structure, Detail (size, depth, fracture type, head injury clinical signs and neurological deficits), and Source of all injuries indicated by official sources (or from PAR or other unofficial sources if medical records and interviewee data are unavailable.)



**SOURCE OF INJURY DATA****OFFICIAL**

- (1) Autopsy records with or without hospital/ medical records
- (2) Hospital/medical records other than emergency room (e.g., discharge summary)
- (3) Emergency room records only (including associated X-rays or other lab reports)
- (4) Private physician, walk-in or emergency clinic

**UNOFFICIAL**

- (5) Lay coroner report
- (6) E.M.S. personnel
- (7) Interviewee
- (8) Other source (specify): \_\_\_\_\_
- (9) Police

**INJURY SOURCE CONFIDENCE LEVEL**

- (1) Certain
- (2) Probable
- (3) Possible
- (9) Unknown

**DIRECT/INDIRECT INJURY**

- (1) Direct contact injury
- (2) Indirect contact injury
- (3) Noncontact injury
- (7) Injured, unknown source

**STRIKING PROFILE**

- (0) Injury not from vehicle contact
- (1) Flat-Narrow (< 15 centimeters)
- (2) Flat-Wide (≥ 15 centimeters)
- (3) Rounded (contoured)
- (4) Rounded edge
- (5) Sharp edge
- (8) Other (specify): \_\_\_\_\_
- (9) Unknown

**TYPE OF DAMAGE**

- (0) Injury not from vehicle contact
- (1) No damage/contact
- (2) Scratch (Scuff, Cloth Transfer, Smear)
- (3) Dent
- (4) Large deformation
- (5) Cracked, fractured, shattered
- (6) Separated from vehicle
- (7) Noncontact injury
- (8) Other specify: \_\_\_\_\_
- (9) Unknown

**DAMAGE DEPTH**

- (0) Injury not from vehicle contact
- (1) No residual damage
- (2) Surface only damage
- (3) Crush depth > 0 to 2 centimeters
- (4) Crush depth > 2 to 5 centimeters
- (5) Crush depth > 5 to 10 centimeters
- (8) Other specify: \_\_\_\_\_
- (9) Unknown

**PEDESTRIAN INJURY CLASSIFICATION****Body Region**

- (1) Head
- (2) Face
- (3) Neck
- (4) Thorax
- (5) Abdomen
- (6) Spine
- (7) Upper Extremity
- (8) Lower Extremity
- (9) Unspecified

**Type of Anatomic Structure**

- (1) Whole Area
- (2) Vessels
- (3) Nerves
- (4) Organs (includes muscles/ ligaments)
- (5) Skeletal (includes joints)
- (6) Head - LOC
- (9) Skin

**Specific Anatomic Structure**

- Whole Area
- (02) Skin - Abrasion
  - (04) Skin - Contusion
  - (06) Skin - Laceration
  - (08) Skin - Avulsion
  - (10) Amputation
  - (20) Burn
  - (30) Crush
  - (40) Degloving
  - (50) Injury - NFS
  - (90) Trauma, other than mechanical

- Head - LOC
- (02) Length of LOC
  - (04, 06, 08) Level of Consciousness
  - (10) Concussion

**Spine**

- (02) Cervical
- (04) Thoracic
- (06) Lumbar

Vessels, Nerves, Organs, Bones, Joints  
are assigned consecutive two digit numbers beginning with 02

**Level of Injury**

Specific injuries are assigned consecutive two-digit numbers beginning with 02.

To the extent possible, within the organizational framework of the AIS, 00 is assigned to an injury NFS as to severity or where only one injury is given in the dictionary for that anatomic structure. 99 is assigned to any injury NFS as to lesion or severity.

**Abbreviated Injury Scale**

- (1) Minor injury
- (2) Moderate injury
- (3) Serious injury
- (4) Severe injury
- (5) Critical injury
- (6) Maximum (untreatable)
- (7) Injured, unknown severity

**Aspect**

- (1) Right
- (2) Left
- (3) Bilateral
- (4) Central
- (5) Anterior
- (6) Posterior
- (7) Superior
- (8) Inferior
- (9) Unknown
- (0) Whole region

**INJURY SOURCE****FRONT**

- 700 Front bumper
- 701 Front lower valance/spoiler
- 702 Front grille
- 703 Hood edge and/or trim
- 704 Hood ornament (fixed)
- 705 Hood ornament (spring loaded)
- 706 Headlight
- 707 Retractable headlight door (Open/Closed)
- 708 Turn signal/parking lights
- 718 Other front or add on object (specify): \_\_\_\_\_
- 719 Unknown front object

**Left Side Components**

- 720 Front fender side surface
- 721 Front antenna
- 722 A1 pillar
- 723 A2 pillar
- 724 B pillar
- 725 C pillar
- 726 D pillar
- 728 Other pillar (specify): \_\_\_\_\_
- 729 Left side roof rail
- 730 Left side door surface
- 731 Left side door handle
- 732 Left side mirror fixed housing
- 733 Left side folding mirror
- 734 Left side glazing forward of B pillar
- 735 Left side glazing rearward of B pillar
- 736 Left side back fender or quarter panel
- 737 Rear antenna
- 738 Other left side object (specify): \_\_\_\_\_
- 739 Unknown left side component

**Right Side Components**

- 740 Front fender side surface
- 741 Front antenna
- 742 A1 pillar
- 743 A2 pillar

- 744 B pillar
- 745 C pillar
- 746 D pillar
- 748 Other pillar (specify): \_\_\_\_\_
- 749 Right side roof rail
- 750 Right side door surface
- 751 Right side door handle
- 752 Right side mirror fixed housing
- 753 Right side folding mirror
- 754 Right side glazing forward of B pillar
- 755 Right side glazing rearward of B pillar
- 756 Rear antenna
- 757 Rear fender or quarter panel
- 758 Other right side object (specify): \_\_\_\_\_
- 759 Unknown right side component

**Back Components**

- 760 Rear (back) bumper
- 761 Tailgate
- 762 Hatchback, vertical surface
- 768 Other back component (specify): \_\_\_\_\_
- 769 Unknown back component

**Top Components**

- 770 Hood surface
- 771 Hood surface reinforced by under hood component
- 772 Front fender top surface
- 773 Cowl area
- 774 Wiper blade & mountings
- 775 Windshield glazing
- 776 Front header
- 777 Roof surface
- 778 Backlight glazing
- 779 Rear header
- 780 Hatchback
- 781 Rear trunk lid
- 788 Other top component (specify): \_\_\_\_\_
- 789 Unknown top component

**Wheels / tires**

- 790 Left front wheel / tire
- 791 Right front wheel / tire
- 792 Left rear wheel / tire
- 793 Right rear wheel / tire
- 798 Other wheel / tire (specify): \_\_\_\_\_
- 799 Unknown wheel / tire

**Undercarriage components**

- 800 Front crossmember
- 801 Steering assembly/Front suspension
- 802 Oil pan
- 803 Exhaust system pipe
- 804 Transmission
- 805 Drive shaft
- 806 Catalytic converter
- 807 Muffler
- 808 Floor pan
- 809 Fuel tank
- 810 Rear suspension
- 818 Other undercarriage component (specify): \_\_\_\_\_
- 819 Unknown undercarriage component

**Accessories**

- 820 Air scoop, deflector
- 821 Cellular or CB radio antenna
- 822 Emergency lights or bar
- 823 Fog lights
- 824 Luggage, ski, or bike rack
- 825 Cargo (specify): \_\_\_\_\_
- 826 Spare tire
- 827 Spotlight
- 828 Other accessory (specify): \_\_\_\_\_

**Other Object or Vehicle in Environment**

- 947 Ground
- 948 Other object (specify): \_\_\_\_\_
- 949 Unknown object in environment
- 959 Unknown object on contacting vehicle
- 997 Noncontact injury source
- 999 Unknown injury source



# OFFICIAL INJURY DATA — SKELETAL INJURIES

Restrained?

No

Indicate the Location, Specific Anatomic Structure, Detail (size, depth, fracture type, head injury clinical signs and neurological deficits), and Source of all injuries indicated by official sources (or from PAR or other unofficial sources if medical records and interviewee data are unavailable.)

Yes

Blood Alcohol Level  
(mg/dl)

BAL = \_\_\_\_\_

Glasgow Coma  
Scale Score

GCSS = \_\_\_\_\_

Units of Blood  
Given

Units = \_\_\_\_\_

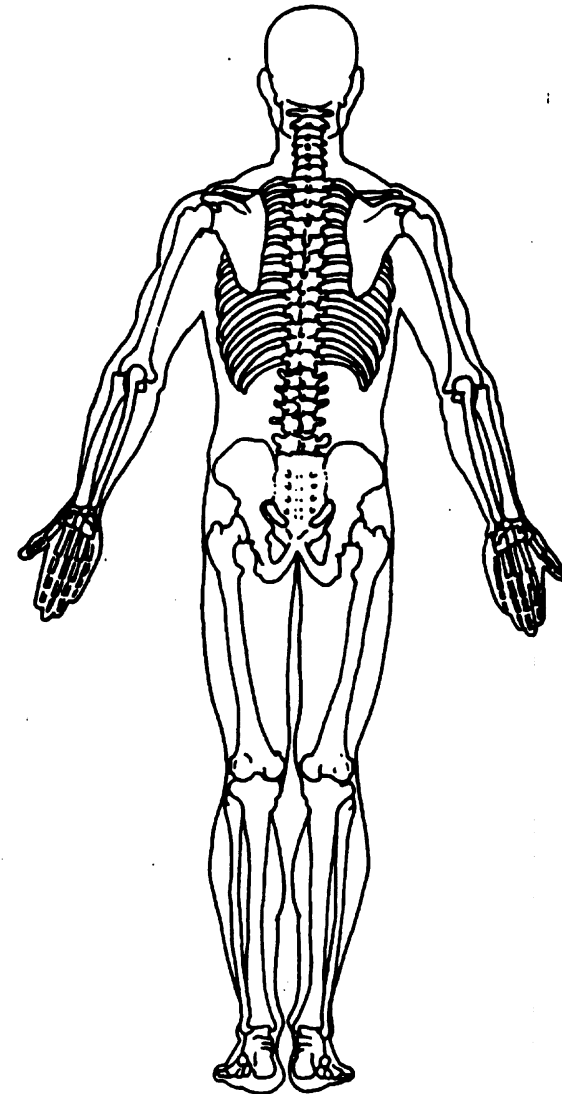
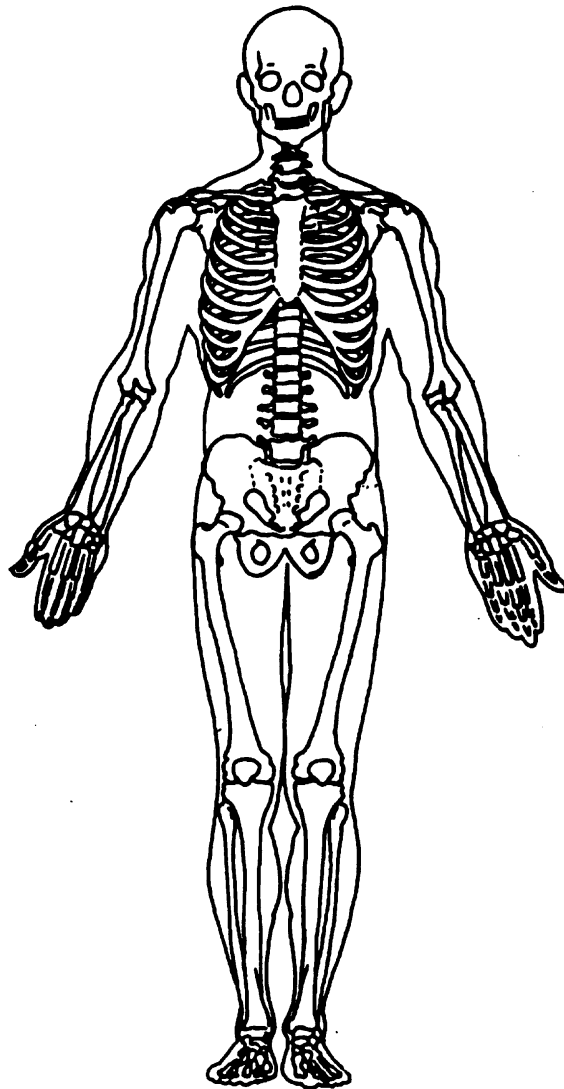
Arterial Blood Gases

Ph = \_\_\_\_\_

PO<sub>2</sub> = \_\_\_\_\_

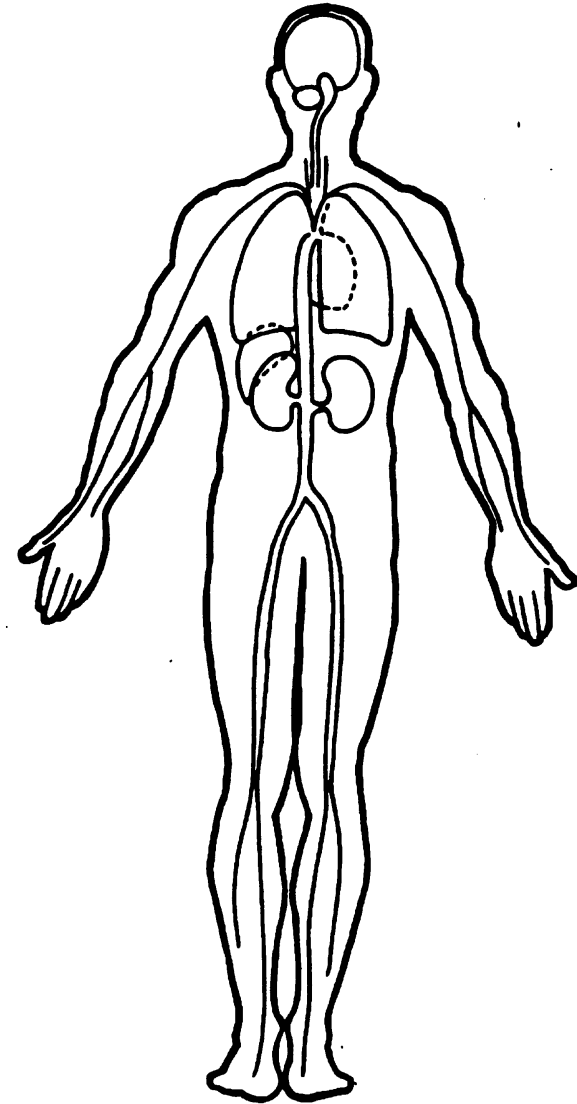
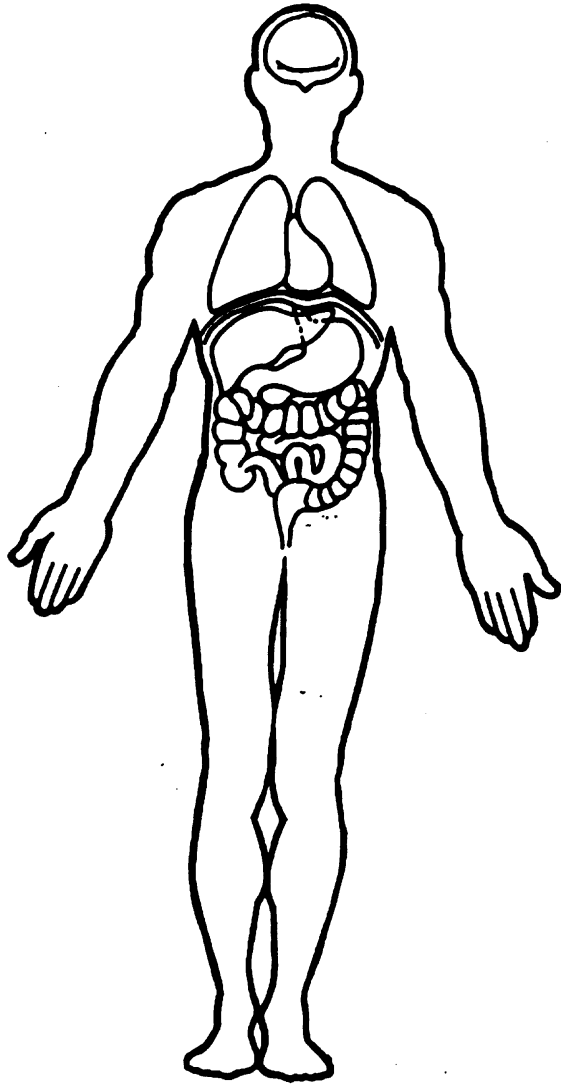
PCO<sub>2</sub> = \_\_\_\_\_

HCO<sub>3</sub> = \_\_\_\_\_



## OFFICIAL INJURY DATA – INTERNAL INJURIES

Indicate the Location, Specific Anatomic Structure, Detail (size, depth, fracture type, head injury clinical signs and neurological deficits), and Source of all injuries indicated by official sources (or from PAR or other unofficial sources if medical records and interviewee data are unavailable.)





1. Primary Sampling Unit Number 82  
 2. Case Number - Stratum 6 36 P  
 3. Vehicle Number 0 1

**VEHICLE IDENTIFICATION**

4. Vehicle Model Year 96  
 Code the last two digits of the model year  
 (99) Unknown

5. Vehicle Make (specify): 14  
Mercury  
 Applicable codes are found in your  
 NASS PCDS Data Collection, Coding and  
 Editing Manual.  
 (99) Unknown

6. Vehicle Model (specify): 004  
Cougar  
 Applicable codes are found in your  
 NASS PCDS Data Collection, Coding and  
 Editing Manual.  
 (999) Unknown

7. Body Type 02  
 Note: Applicable codes may be found on  
 the back of this page.

8. Vehicle Identification Number  
1 M E L M 6 2 W 9 T H [REDACTED]  
 1 2 3 4 5 6 7 8 9 10 11 12 13 14 15 16 17

Left justify; Slash zeros and letter Z (0 and Z)  
 No VIN—Code all zeros  
 Unknown—Code all nines

**OFFICIAL RECORDS**

9. Police Reported Travel Speed 999  
 Code to the nearest kmph (NOTE: 000 means  
 less than 0.5 kmph)  
 (160) 159.5 kmph and above  
 (999) Unknown  
 \_\_\_\_\_ mph X 1.6093 = \_\_\_\_\_ kmph

10. Speed Limit 048  
 (000) No statutory limit  
 Code posted or statutory speed limit  
 in kmph  
 (999) Unknown  
30 mph X 1.6093 = \_\_\_\_\_ kmph

11. Police Reported Alcohol Presence For Driver 0  
 (0) No alcohol present  
 (1) Yes alcohol present  
 (7) Not reported  
 (8) No driver present  
 (9) Unknown

12. Alcohol Test Result For Driver 96  
 Code actual value (decimal implied  
 before first digit—0.xx)  
 (95) Test refused  
 (96) None given  
 (97) AC (Alcohol Content) test  
 performed, results unknown  
 (98) No driver present  
 (99) Unknown  
 Source: PAR

13. Police Reported Other Drug Presence  
 For Driver 0  
 (0) No other drug(s) present  
 (1) Yes other drug(s) present  
 (7) Not reported  
 (8) No driver present  
 (9) Unknown

14. Other Drug Specimen Test Result  
 For Driver 0  
 (0) No specimen test given  
 (1) Drug not found in specimen  
 (2) Drug found in specimen  
 (specify): \_\_\_\_\_  
 (3) Specimen test given, results  
 unknown or not obtained  
 (8) No driver present  
 (9) Unknown

# CODES FOR BODY TYPE

## CDS APPLICABLE VEHICLES

### *Automobiles*

- (01) Convertible (excludes sun-roof, t-bar)
- (02) 2-door sedan, hardtop, coupe
- (03) 3-door/2-door hatchback
- (04) 4-door sedan, hardtop
- (05) 5-door/4-door hatchback
- (06) Station wagon (excluding van and truck based)
- (07) Hatchback, number of doors unknown
- (08) Other automobile type (specify): \_\_\_\_\_

- (09) Unknown automobile type

### *Automobile Derivatives*

- (10) Auto based pickup (includes El Camino, Caballero, Rancho, Brat, and Rabbit pickup)
- (11) Auto based panel (cargo station wagon, auto based ambulance/hearse)
- (12) Large limousine - more than four side doors or stretched chassis
- (13) Three-wheel automobile or automobile derivative

### *Utility Vehicles (≤ 4,500 kgs GVWR)*

- (14) Compact utility (Jeep CJ-2 - CJ-7, Scrambler, Golden Eagle, Renegade, Laredo, Wrangler, Cherokee [84 and after], Dispatcher, Raider, Bronco II, Bronco [76 and before], Explorer, S-10 Blazer, Geo Tracker, Bravada, S-15 Jimmy, Thing, Pathfinder, Trooper, Trooper II, Rodeo, Amigo, Navajo, 4-Runner, Montero, Samurai, Sidekick, Rocky)
- (15) Large utility (includes Jeep Cherokee [83 and before], Ramcharger, Trailduster, Bronco-fullsize [78 and after], fullsize Blazer, fullsize Jimmy, Landcruiser, Rover, Scout)
- (16) Utility station wagon (Chevy Suburban, GMC Suburban, Travelall, Grand Wagoneer, includes suburban limousine)
- (19) Utility, unknown body type

### *Van Based Light Trucks (≤ 4,500 kgs GVWR)*

- (20) Minivan (Chrysler Town and Country, Caravan, Grand Caravan, Voyager, Grand Voyager, Mini-Ram, Dodge/Plymouth Vista, Aerostar, Villager, Lumina APV, Trans Sport, Silhouette, Astro, Safari, Toyota Van, Toyota Minivan, Previa, Nissan Minivan, Quest, Mitsubishi Minivan, Vanagon/Camper.)
- (21) Large van (B150-B350, Sportsman, Royal, Maxiwagon, Ram, Tradesman, Voyager [83 and before], E150-E350, Econoline, Clubwagon, Chateau, G10-G30, Chevy Van, Beauville, Sport Van, G15-G35, Rally Van, Vandura.)
- (22) Step van or walk-in van (≤ 4,500 kgs GVWR)
- (23) Van based motorhome (≤ 4,500 kgs GVWR)
- (24) Van based school bus (≤ 4,500 kgs GVWR)
- (25) Van based other bus (≤ 4,500 kgs GVWR)
- (28) Other van type (Hi-Cube Van, Kary) (specify): \_\_\_\_\_

- (29) Unknown van type

### *Light Conventional Trucks (Pickup style cab, ≤ 4,500 kgs GVWR)*

- (30) Compact pickup (D50, Colt P/U, Ram 50, Dakota, Arrow Pickup [foreign], Ranger, Courier, S-10, T-10, LUV, S-15, T-15, Sonoma, Datsun/Nissan Pickup, P'up, Mazda Pickup, Toyota Pickup, Mitsubishi Pickup)
- (31) Large Pickup (Jeep Pickup, Comanche, Ram Pickup, D100-D350, W100-W350, F100-F350, C10-C35, K10-K35, R10-R35, V10-V35, Silverado, Sierra, R100-R500,)

- (32) Pickup with slide-in camper
- (33) Convertible pickup
- (39) Unknown pickup style light conventional truck type

### *Other Light Trucks (≤ 4,500 kgs GVWR)*

- (40) Cab chassis based (includes rescue vehicles, light stake, dump, and tow truck)
- (41) Truck based panel
- (42) Light truck based motorhome (chassis mounted)
- (45) Other light conventional truck type
- (48) Unknown light truck type
- (49) Unknown light vehicle type (automobile, utility, van, or light truck)

## OTHER VEHICLES

### *Buses (Excludes Van Based)*

- (50) School bus (designed to carry students, not cross country or transit)
- (58) Other bus type (e.g., transit, intercity, bus based motorhome) (specify): \_\_\_\_\_

- (59) Unknown bus type

### *Medium/Heavy Trucks (> 4,500 kgs GVWR)*

- (60) Step van (> 4,500 kgs GVWR)
- (61) Single unit straight truck (4,500 kgs < GVWR ≤ 8,850 kgs)
- (62) Single unit straight truck (8,850 kgs < GVWR ≤ 12,000 kgs)
- (63) Single unit straight truck (> 12,000 kgs GVWR)
- (64) Single unit straight truck, GVWR unknown
- (65) Medium/heavy truck based motorhome
- (67) Truck-tractor with no cargo trailer
- (68) Truck-tractor pulling one trailer
- (69) Truck-tractor pulling two or more trailers
- (70) Truck-tractor (unknown if pulling trailer)
- (78) Unknown medium/heavy truck type
- (79) Unknown truck type (light/medium/heavy)

### *Motored Cycles (Does Not Include All-Terrain Vehicles/Cycles)*

- (80) Motorcycle
- (81) Moped (motorized bicycle)
- (82) Three-wheel motorcycle or moped
- (88) Other motored cycle (minibike, motorscooter) (specify): \_\_\_\_\_
- (89) Unknown motored cycle type

### *Other Vehicles*

- (90) ATV (All-Terrain Vehicle) and ATC (All-Terrain Cycle)
- (91) Snowmobile
- (92) Farm equipment other than trucks
- (93) Construction equipment other than trucks
- (97) Other vehicle type
- (99) Unknown body type

**VEHICLE WEIGHT ITEMS**

15. Vehicle Curb Weight 1,660  
 Code weight to nearest 10 kilograms.

- (045) Less than 450 kilograms
- (610) 6,100 kilograms or more
- (999) Unknown

3659 lbs X .4536 = 1,660 kgs

Source: \_\_\_\_\_

16. Vehicle Cargo Weight 0,000  
 Code weight to nearest 10 kilograms.

- (000) Less than 5 kilograms
- (450) 4,500 kilograms or more
- (999) Unknown

\_\_\_\_\_ lbs X .4536 = \_\_\_\_\_ kgs

**OTHER DATA**

17. Vehicle Special Use (This Trip) 0
- (0) No special use
  - (1) Taxi
  - (2) Vehicle used as school bus
  - (3) Vehicle used as other bus
  - (4) Military
  - (5) Police
  - (6) Ambulance
  - (7) Fire truck or car
  - (8) Other (specify): \_\_\_\_\_
  - (9) Unknown

**RECONSTRUCTION DATA**

18. Impact Speed 008  
 Nearest kmph

(NOTE: 000 means greater than .5 kmph)  
 (160) 159.5 kmph and above  
 (999) Unknown

19. Accuracy Range of Impact Speed Estimate 1
- (0) No reconstruction
  - (1) Less than 2 kmph
  - (2) ≥ 2 kmph and ≤ 8 kmph
  - (3) ≥ 9 kmph and ≤ 16 kmph
  - (4) ≥ 17 kmph and ≤ 26 kmph
  - (9) Unknown

20. Data Source of Impact Speed 1
- (0) No impact speed calculated
  - (1) Zone center calculation
  - (2) Police calculation
  - (3) Driver/witness/police estimates

**PRECRASH DATA**

21. Driver's Attention to Driving 1  
 (Prior to Recognition of Critical Event)
- (1) Full attention to driving
  - (2) Distracted by other occupant
  - (3) Distracted by moving object in vehicle
  - (4) Distracted by outside person, object, or event
  - (5) Talking on cellular phone or CB radio  
 Specify: \_\_\_\_\_
  - (6) Sleeping or dozing while driving
  - (8) Other (specify): \_\_\_\_\_
  - (9) Unknown

22. Pre-Event Vehicle Movement 09  
 (Prior to Recognition of Critical Event)
- (01) Going straight
  - (02) Slowing or stopping in traffic lane
  - (03) Starting in traffic lane
  - (04) Stopped in traffic lane
  - (05) Passing or overtaking another vehicle
  - (06) Disabled or parked in travel lane
  - (07) Leaving a parking position
  - (08) Entering a parking position
  - (09) Turning right
  - (10) Turning left
  - (11) Making a U-turn
  - (12) Backing up (other than for parking position)
  - (13) Negotiating a curve
  - (14) Changing lanes
  - (15) Merging
  - (16) Successful avoidance maneuver to a previous critical event
  - (97) Other (specify): \_\_\_\_\_
  - (98) No driver present
  - (99) Unknown

**STOP - VARIABLES 18 THROUGH 20  
 ARE COMPLETED BY THE ZONE CENTER**

## 23. Critical Precrash Event

*This Vehicle Loss of Control Due To:*

- (01) Blow out or flat tire  
 (02) Stalled engine  
 (03) Disabling vehicle failure (e.g., wheel fell off)  
 (specify): \_\_\_\_\_  
 (04) Non-disabling vehicle problem (e.g., hood flew up)  
 (specify): \_\_\_\_\_  
 (05) Poor road conditions (puddle, pot hole, ice, etc.)  
 (specify): \_\_\_\_\_  
 (06) Traveling too fast for conditions  
 (08) Other cause of control loss (specify): \_\_\_\_\_

- (09) Unknown cause of control loss

*This Vehicle Traveling*

- (10) Over the lane line on left side of travel lane  
 (11) Over the lane line on right side of travel lane  
 (12) Off the edge of the road on the left side  
 (13) Off the edge of the road on the right side  
 (14) End departure  
 (15) Turning left at intersection  
 (16) Turning right at intersection  
 (17) Crossing over (passing through) intersection  
 (19) Unknown travel direction

*Other Motor Vehicle In Lane*

- (50) Stopped  
 (51) Traveling in same direction with lower speed  
 (i.e., lower steady speed or decelerating)  
 (52) Traveling in same direction with higher speed  
 (53) Traveling in opposite direction  
 (54) In crossover  
 (55) Backing  
 (59) Unknown travel direction of other motor vehicle  
 in lane

*Other Motor Vehicle Encroaching Into Lane*

- (60) From adjacent lane (same direction)—over left  
 lane line  
 (61) From adjacent lane (same direction)—over right  
 lane line  
 (62) From opposite direction—over left lane line  
 (63) From opposite direction—over right lane line  
 (64) From parking lane  
 (65) From crossing street, turning into same direction  
 (66) From crossing street, across path  
 (67) From crossing street, turning into opposite  
 direction  
 (68) From crossing street, intended path not known  
 (70) From driveway, turning into same direction  
 (71) From driveway, across path  
 (72) From driveway, turning into opposite direction  
 (73) From driveway, intended path not known  
 (74) From entrance to limited access highway  
 (78) Encroachment by other vehicle—details  
 unknown

*Pedestrian or Pedalcyclist, or Other Nonmotorist*

- (80) Pedestrian in roadway  
 (81) Pedestrian approaching roadway  
 (82) Pedestrian—unknown location

- (83) Pedalcyclist or other nonmotorist in roadway  
 (specify): \_\_\_\_\_  
 (84) Pedalcyclist or other nonmotorist approaching  
 roadway (specify): \_\_\_\_\_  
 (85) Pedalcyclist or other nonmotorist—unknown  
 location (specify): \_\_\_\_\_

*Object or Animal*

- (87) Animal in roadway  
 (88) Animal approaching roadway  
 (89) Animal—unknown location  
 (90) Object in roadway  
 (91) Object approaching roadway  
 (92) Object—unknown location  
 (98) Other critical precrash event (specify): \_\_\_\_\_

- (99) Unknown

## 24. Attempted Avoidance Maneuver

- (00) No driver present  
 (01) No avoidance actions  
 (02) Braking (no lockup)  
 (03) Braking (lockup)  
 (04) Braking (lockup unknown)  
 (05) Releasing brakes  
 (06) Steering left  
 (07) Steering right  
 (08) Braking and steering left  
 (09) Braking and steering right  
 (10) Accelerating  
 (11) Accelerating and steering left  
 (12) Accelerating and steering right  
 (98) Other action (specify): \_\_\_\_\_  
 (99) Unknown

## 25. Precrash Stability After Avoidance Maneuver

- (0) No driver present  
 (1) No avoidance maneuver  
 (2) Tracking  
 (3) Skidding longitudinally—rotation less than 30  
 degrees  
 (4) Skidding laterally—clockwise rotation  
 (5) Skidding laterally—counterclockwise rotation  
 (8) Other vehicle loss-of-control (specify): \_\_\_\_\_  
 (9) Precrash stability unknown

## 26. Precrash Directional Consequences of Avoidance Maneuver (Corrective Action)

- (0) No driver present  
 (1) No avoidance maneuver  
 (2) Vehicle stayed in travel lane where avoidance  
 maneuver was initiated  
 (3) Vehicle stayed on roadway but left travel lane  
 where avoidance maneuver was initiated  
 (4) Vehicle stayed on roadway, not known if left  
 travel lane where avoidance maneuver was  
 initiated  
 (5) Vehicle departed roadway  
 (6) Avoidance maneuver initiated off roadway  
 (9) Directional consequences unknown

## ENVIRONMENTAL DATA

27. Relation to Junction 3
- (0) Non-junction  
(1) Interchange area

*Non-Interchange*

- (2) Intersection  
(3) Intersection-related  
(4) Drive, alley access related  
(5) Other non-interchange (specify):  
\_\_\_\_\_  
(6) Unknown type of non-interchange  
(9) Unknown if interchange

28. Trafficway Flow +

- (1) Not physically divided (two way traffic)  
(2) Divided trafficway - median strip without positive barrier  
(3) Divided trafficway - median strip with positive barrier  
(4) One way trafficway  
(9) Unknown

29. Number of Travel Lanes 2

- (1) One  
(2) Two  
(3) Three *Turns from*  
(4) Four  
(5) Five  
(6) Six  
(7) Seven or more  
(9) Unknown

30. Roadway Alignment +

- (1) Straight  
(2) Curve right  
(3) Curve left  
(9) Unknown

31. Roadway Profile 2

- (1) Level  
(2) Uphill Grade (>2%)  
(3) Downhill Grade (>2%)  
(4) Hillcrest  
(5) Sag  
(9) Unknown

32. Roadway Surface Type 2

- (1) Concrete  
(2) Bituminous (asphalt)  
(3) Brick or Block  
(4) Slag, gravel or stone  
(5) Dirt  
(8) Other (specify):  
\_\_\_\_\_  
(9) Unknown

33. Roadway Surface Condition +

- (1) Dry  
(2) Wet  
(3) Snow and slush  
(4) Ice  
(5) Sand, dirt or oil  
(8) Other (specify):  
\_\_\_\_\_  
(9) Unknown

34. Traffic Control Device 1

- (0) No traffic control(s)  
(1) Trafficway traffic control signal (not RR crossing)

*Regulatory or School Zone Sign (Not RR Crossing)*

- (2) Stop sign  
(3) Yield sign  
(4) School zone sign  
(5) Other sign (specify):  
\_\_\_\_\_  
(6) Unknown sign  
(7) Warning sign (not RR crossing)  
(8) Miscellaneous/other controls including RR controls (specify):  
\_\_\_\_\_  
(9) Unknown

35. Traffic Control Device Functioning 2

- (0) No traffic control  
(1) Not Functioning  
(2) Functioning  
(9) Unknown

36. Light Conditions +

- (1) Daylight  
(2) Dark  
(3) Dark, but lighted  
(4) Dawn  
(5) Dusk  
(9) Unknown

37. Atmospheric Conditions 1

- (1) No adverse atmospheric related driving conditions  
(2) Rain  
(3) Sleet  
(4) Snow  
(5) Fog  
(6) Rain and fog  
(7) Sleet and fog  
(8) Other (e.g., smog, smoke, blowing sand or dust, etc.) (specify):  
\_\_\_\_\_  
(9) Unknown

82-626

██████/97

'96 Cougar

6940 F

5 mph

5940 F

65"

195-#

hand out

$$POT + KE = 2.6 \text{ m} = 8.5 \text{ ft}$$

$$f = 0.6$$

$$PAT = 1 \text{ s.u.}$$

$$g = 1 \text{ v} + \frac{v^2}{(2)(0.6)(32.2)}$$

$$0.026v^2 + 1v - 9 = 0$$

$$v = \frac{-1 \pm \sqrt{(1)^2 - (4)(0.026)(-9)}}{(2)(0.026)}$$

$$v = 7.5 \text{ FPS} = 5.12 \text{ mph} = 8.2 \text{ KPH}$$

8 KPH  
~~~~~





|                                 |               |                   |            |
|---------------------------------|---------------|-------------------|------------|
| 1. Primary Sampling Unit Number | <u>82</u>     | 3. Vehicle Number | <u>0 1</u> |
| 2. Case Number - Stratum        | <u>6 36 P</u> |                   |            |

**VEHICLE IDENTIFICATION**

VIN 1MELM62W9TH XXXXXXXXXX Model Year 96

Vehicle Make (specify): Mercury Vehicle Model (specify): Cougar

**PEDESTRIAN FRONT CONTACT WORK SHEET**

|                                           |               |
|-------------------------------------------|---------------|
| PEV06 Hood Material                       | <u>Steel</u>  |
| PEV08 Hood Length                         | <u>126</u> cm |
| PEV09 Hood Width-Forward Opening          | <u>146</u> cm |
| PEV10 Hood Width-Midway                   | <u>158</u> cm |
| PEV11 Hood Width-Rear Opening             | <u>159</u> cm |
| PEV14 Front Bumper Cover Material         | <u>Rubber</u> |
| PEV15 Front Bumper Reinforcement Material | <u>Steel</u>  |

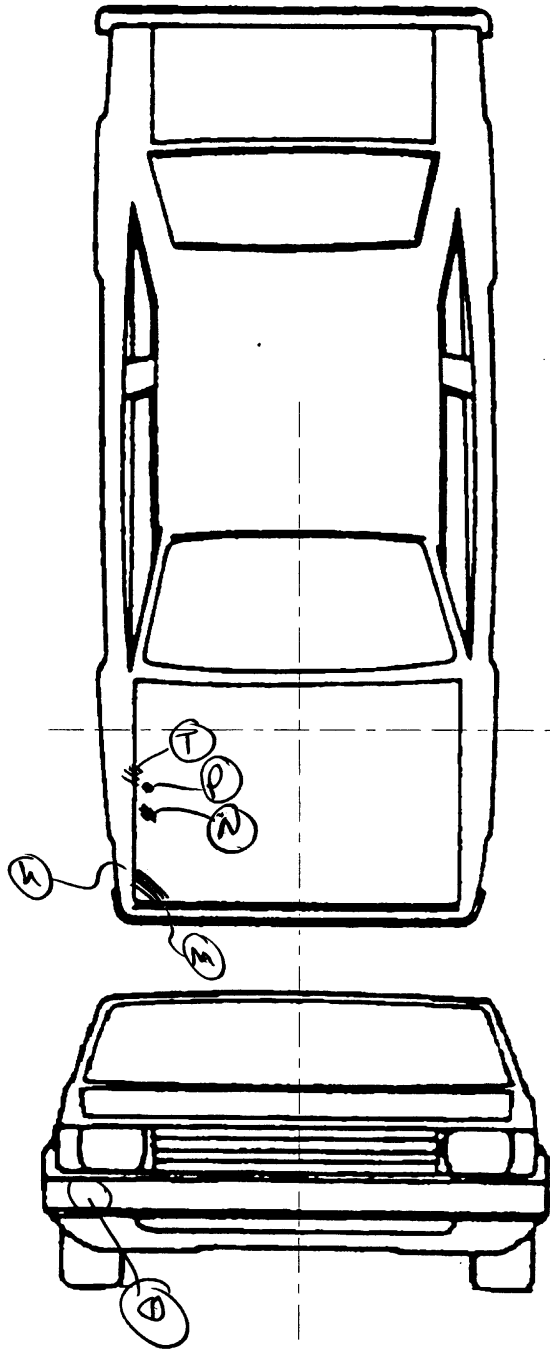
**VERTICAL MEASUREMENTS**

|                                  |               |   |
|----------------------------------|---------------|---|
| PEV16 Front Bumper-Bottom Height | <u>034</u> cm | ✓ |
| PEV17 Front Bumper-Top Height    | <u>044</u> cm | ✓ |
| PEV18 Forward Hood Opening       | <u>061</u> cm | ✓ |
| PEV19 Front Bumper Lead          | <u>010</u> cm | ✓ |

**WRAP DISTANCES**

|                                            |               |   |
|--------------------------------------------|---------------|---|
| PEV20 Ground to Forward Hood Opening       | <u>068</u> cm | ✓ |
| PEV21 Ground to Front/Top Transition Point | <u>072</u> cm | ✓ |
| PEV22 Ground to Rear Hood Opening          | <u>200</u> cm | ✓ |
| PEV23 Ground to Base of Windshield         | <u>210</u> cm | ✓ |
| PEV24 Ground to Top of Windshield          | <u>294</u> cm | ✓ |
| PEV25 Ground to Head Contact               | <u>998</u> cm | ✓ |

### VEHICLE DAMAGE SKETCH



NOTES: Sketch all pedestrian contacts, include the size and depth in centimeters. Locate the pedestrian contacts from the intercept point of the centerline (lateral) and the front axles (longitudinal) in centimeters. Annotate observations which might be useful in reconstructing the accident (e.g., grass in tire bead, direction of striations, scuff on sidewalls, etc.).

Location of the origin (intercept point of the centerline and the front axles) from the ground: 177 cm

**PEDESTRIAN SIDE CONTACT WORK SHEET**

|                                  |       |    |
|----------------------------------|-------|----|
| PEV06 Hood Material              | _____ |    |
| PEV08 Hood Length                | _____ | cm |
| PEV09 Hood Width-Forward Opening | _____ | cm |
| PEV10 Hood Width-Midway          | _____ | cm |
| PEV11 Hood Width-Rear Opening    | _____ | cm |

**VERTICAL MEASUREMENTS**

|                                        |       |    |
|----------------------------------------|-------|----|
| PEV26 Ground Clearance                 | _____ | cm |
| PEV27 Side Bumper-Bottom Height        | _____ | cm |
| PEV28 Side Bumper-Top Height           | _____ | cm |
| PEV29 Centerline of Wheel              | _____ | cm |
| PEV30 Top of Tire                      | _____ | cm |
| PEV31 Top of Wheel Well Opening        | _____ | cm |
| PEV32 Bottom of A-Pillar at Windshield | _____ | cm |
| PEV33 Top of A-Pillar at Windshield    | _____ | cm |
| PEV34 Top of Side View Mirror          | _____ | cm |

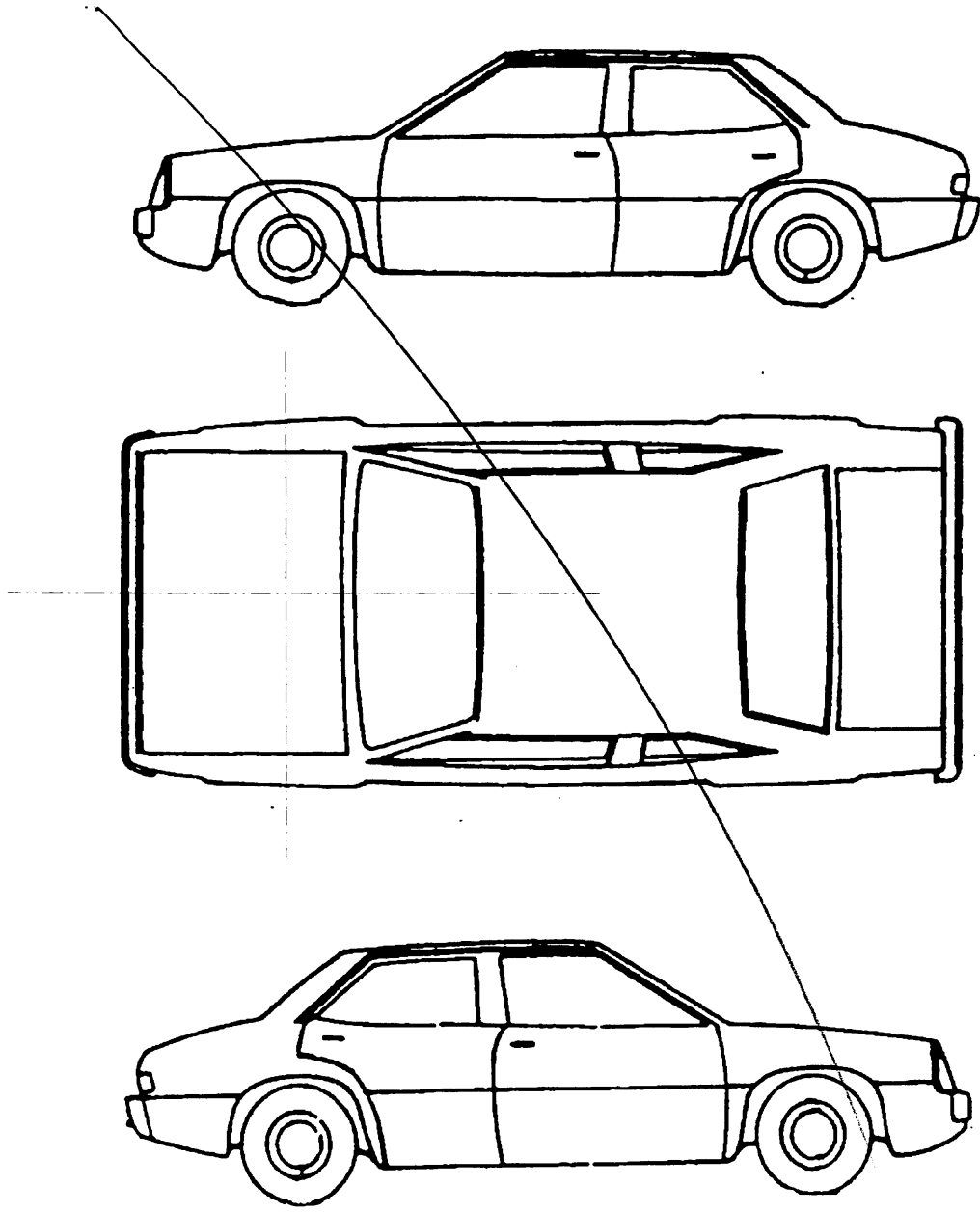
**LATERAL MEASUREMENTS**

|                                                             |       |    |
|-------------------------------------------------------------|-------|----|
| PEV35 C <sub>L</sub> to A-Pillar at Bottom of Windshield    | _____ | cm |
| PEV36 C <sub>L</sub> to A-Pillar at Top of Windshield       | _____ | cm |
| PEV37 C <sub>L</sub> to Maximum Side View Mirror Protrusion | _____ | cm |

**WRAP DISTANCES**

|                                             |       |    |
|---------------------------------------------|-------|----|
| PEV38 Ground to Side/Top Transition         | _____ | cm |
| PEV39 Ground to Hood Edge                   | _____ | cm |
| PEV40 Ground to Centerline of Hood (ORIGIN) | _____ | cm |
| PEV41 Ground to Head Contact                | _____ | cm |

### VEHICLE DAMAGE SKETCH



NOTES: Sketch all pedestrian contacts, include the size and depth in centimeters. Locate the pedestrian contacts from the intercept point of the centerline (lateral) and the front axles (longitudinal) in centimeters. Annotate observations which might be useful in reconstructing the accident (e.g., grass in tire bead, direction of striations, scuff on sidewalls, etc.).

Location of the origin (intercept point of the centerline and the front axles) from the ground: \_\_\_\_\_ cm

# ORIGINAL SPECIFICATIONS

|                          |                                     |        |   |       |   |       |    |
|--------------------------|-------------------------------------|--------|---|-------|---|-------|----|
| Wheelbase                | 173                                 | inches | x | 2.54  | = | 287   | cm |
| Overall Length           | 199.9                               | inches | x | 2.54  | = | 5.08  | cm |
| Maximum Width            | 72.7                                | inches | x | 2.54  | = | 185   | cm |
| Curb Weight              | 3559<br><del>3633</del><br>+100 lbs | pounds | x | .4536 | = | 1.660 | kg |
| Average Track            | 60.9                                | inches | x | 2.54  | = | 155   | cm |
| Front Overhang           | — — —                               | inches | x | 2.54  | = | — — — | cm |
| Rear Overhang            | — — —                               | inches | x | 2.54  | = | — — — | cm |
| Undeformed End Width     | — — —                               | inches | x | 2.54  | = | — — — | cm |
| Engine Size: cyl./displ. | — — —                               | cc     | x | .001  | = | — — — | L  |
|                          | — — —                               | CID    | x | .0164 | = | — — — | L  |

4.2 L V8

## INJURY SOURCE

### FRONT

- 700 Front bumper
- 701 Front lower valance/spoiler
- 702 Front grille
- 703 Hood edge and/or trim
- 704 Hood ornament (fixed)
- 705 Hood ornament (spring loaded)
- 706 Headlight
- 707 Retractable headlight door (Open/Closed)
- 708 Turn signal/parking lights
- 718 Other front or add on object  
(specify): \_\_\_\_\_
- 719 Unknown front object

### Left Side Components

- 720 Front fender side surface
- 721 Front antenna
- 722 A1 pillar
- 723 A2 pillar
- 724 B pillar
- 725 C pillar
- 726 D pillar
- 728 Other pillar  
(specify): \_\_\_\_\_
- 729 Left side roof rail
- 730 Left side door surface
- 731 Left side door handle
- 732 Left side mirror fixed housing
- 733 Left side folding mirror
- 734 Left side glazing forward of B pillar
- 735 Left side glazing rearward of B pillar
- 736 Left side back fender or quarter panel
- 737 Rear antenna
- 738 Other left side object  
(specify): \_\_\_\_\_
- 739 Unknown left side component

### Right Side Components

- 740 Front fender side surface
- 741 Front antenna
- 742 A1 pillar
- 743 A2 pillar

- 744 B pillar
- 745 C pillar
- 746 D pillar
- 748 Other pillar (specify): \_\_\_\_\_
- 749 Right side roof rail
- 750 Right side door surface
- 751 Right side door handle
- 752 Right side mirror fixed housing
- 753 Right side folding mirror
- 754 Right side glazing forward of B pillar
- 755 Right side glazing rearward of B pillar
- 756 Rear antenna
- 757 Rear fender or quarter panel
- 758 Other right side object  
(specify): \_\_\_\_\_
- 759 Unknown right side component

### Back Components

- 760 Rear (back) bumper
- 761 Tailgate
- 762 Hatchback, vertical surface
- 768 Other back component  
(specify): \_\_\_\_\_
- 769 Unknown back component

### Top Components

- 770 Hood surface
- 771 Hood surface reinforced by under hood component
- 772 Front fender top surface
- 773 Cowl area
- 774 Wiper blade & mountings
- 775 Windshield glazing
- 776 Front header
- 777 Roof surface
- 778 Backlight glazing
- 779 Rear header
- 780 Hatchback
- 781 Rear trunk lid
- 788 Other top component (specify): \_\_\_\_\_
- 789 Unknown top component

### Wheels / tires

- 790 Left front wheel / tire
- 791 Right front wheel / tire
- 792 Left rear wheel / tire
- 793 Right rear wheel / tire
- 798 Other wheel / tire (specify): \_\_\_\_\_
- 799 Unknown wheel / tire

### Undercarriage components

- 800 Front cross member
- 801 Steering assembly/Front suspension
- 802 Oil pan
- 803 Exhaust system pipe
- 804 Transmission
- 805 Drive shaft
- 806 Catalytic converter
- 807 Muffler
- 808 Floor pan
- 809 Fuel tank
- 810 Rear suspension
- 818 Other undercarriage component  
(specify): \_\_\_\_\_
- 819 Unknown undercarriage component

### Accessories

- 820 Air scoop, deflector
- 821 Cellular or CB radio antenna
- 822 Emergency lights or bar
- 823 Fog lights
- 824 Luggage, ski, or bike rack
- 825 Cargo (specify): \_\_\_\_\_
- 826 Spare tire
- 827 Spotlight
- 828 Other accessory (specify): \_\_\_\_\_

### Other Object or Vehicle in Environment

- 947 Ground
- 948 Other object (specify): \_\_\_\_\_
- 949 Unknown object in environment
- 959 Unknown object on contacting vehicle
- 997 Noncontact injury source
- 999 Unknown injury source





## VEHICLE DIMENSIONS

4. Original Wheelbase

Code to the  
nearest centimeter  
(999) Unknown

113 inches X 2.54 = 287 centimeters

5. Original Average Track Width

Code to the  
nearest centimeter  
(185) 185 centimeters or more  
(999) Unknown

609 inches X 2.54 = \_\_\_\_\_ centimeters

6. Hood Material

(1) Plastic  
(2) Fiberglass  
(3) Steel  
(4) Aluminum  
(5) Stainless Steel  
(8) Other (specify): \_\_\_\_\_  
(9) Unknown

7. Hood Original

Equipment Manufacturer (OEM)  
(1) OEM factory installed hood  
(2) OEM replacement  
(3) Non-OEM replacement  
(9) Unknown

8. Hood Length

Code to the  
nearest centimeter  
(180) 180 centimeters or more  
(999) Unknown

\_\_\_\_\_ inches X 2.54 = \_\_\_\_\_ centimeter

9. Hood Width Forward Opening

Code to the  
nearest centimeter  
(210) 210 centimeters or more  
(999) Unknown

\_\_\_\_\_ inches X 2.54 = \_\_\_\_\_ centimeters

10. Hood Width Midway

Code to the  
nearest centimeter  
(210) 210 centimeters or more  
(999) Unknown

\_\_\_\_\_ inches X 2.54 = \_\_\_\_\_ centimeters

11. Hood Width Rear Opening

Code to the  
nearest centimeter  
(210) 210 centimeters or more  
(999) Unknown

\_\_\_\_\_ inches X 2.54 = \_\_\_\_\_ centimeters

12. Hood/Fender Vertical/Lateral Crush From Pedestrian

(0) Not damaged  
(1) Surface scratching only, no residual crush  
(2) Minor crush (1-3 centimeters)  
(3) Moderate crush (4-7 centimeters)  
(4) Severe crush (>7 centimeters)  
(8) Damage present, unknown if damage is from pedestrian impact  
(9) Unknown

13. Windshield Contact Damage From Pedestrian Contact

(0) Not contacted by pedestrian  
(1) Contacted by pedestrian - not damaged  
(2) Contacted by pedestrian - damaged  
(3) Unknown if contacted by pedestrian - not damaged  
(4) Unknown if contacted by pedestrian - damaged  
(9) Unknown if contacted by pedestrian - unknown if damaged

## FRONT CONTACT DAMAGE

## Front Vertical Measurements

14. Front Bumper Cover Material

(0) No front contact  
(1) Plastic  
(2) Fiberglass  
(3) Rubber  
(4) Other (specify): \_\_\_\_\_  
(9) Unknown

15. Front Bumper Reinforcement Material

(0) No front contact  
(1) Steel  
(2) Aluminum  
(3) Stainless Steel  
(4) Other (specify): \_\_\_\_\_  
(9) Unknown

16. Front Bumper-Bottom Height

Code to the  
nearest centimeter  
(000) No front contact  
(150) 150 centimeters or more  
(999) Unknown

\_\_\_\_\_ inches X 2.54 = \_\_\_\_\_ centimeters



17. Front Bumper-Top Height 044  
 \_\_\_\_\_ Code to the  
 nearest centimeter  
 (000) No front contact  
 (150) 150 centimeters or more  
 (999) Unknown

\_\_\_\_\_ inches X 2.54 = \_\_\_\_\_ centimeters

18. Forward Hood Opening 061  
 \_\_\_\_\_ Code to the  
 nearest centimeter  
 (000) No front contact  
 (200) 200 centimeters or more  
 (999) Unknown

\_\_\_\_\_ inches X 2.54 = \_\_\_\_\_ centimeters

19. Front Bumper Lead 10  
 (00) No front contact  
 \_\_\_\_\_ Code to the  
 nearest centimeter  
 (30) 30 centimeters or more  
 (99) Unknown

\_\_\_\_\_ inches X 2.54 = \_\_\_\_\_ centimeters

23. Ground to Base of Windshield 210  
 \_\_\_\_\_ Code to the  
 nearest centimeter  
 (000) No front contact  
 (400) 400 centimeters or more  
 (999) Unknown

\_\_\_\_\_ inches X 2.54 = \_\_\_\_\_ centimeters

24. Ground to Top of Windshield 294  
 \_\_\_\_\_ Code to the  
 nearest centimeter  
 (000) No front contact  
 (500) 500 centimeters or more  
 (999) Unknown

\_\_\_\_\_ inches X 2.54 = \_\_\_\_\_ centimeters

25. Ground To Head Contact 998  
 \_\_\_\_\_ Code to the  
 nearest centimeter  
 (000) No front contact  
 (400) 400 centimeters or more  
 (998) No head contact  
 (999) Unknown

\_\_\_\_\_ inches X 2.54 = \_\_\_\_\_ centimeters

**Front Wrap Distance Measurements**

**SIDE CONTACT DAMAGE**

**Side Vertical Measurements**

20. Ground to Forward Hood Opening 068  
 \_\_\_\_\_ Code to the  
 nearest centimeter  
 (000) No front contact  
 (200) 200 centimeters or more  
 (999) Unknown

\_\_\_\_\_ inches X 2.54 = \_\_\_\_\_ centimeters

21. Ground to Front/Top Transition Point 072  
 \_\_\_\_\_ Code to the  
 nearest centimeter  
 (000) No front contact  
 (180) 180 centimeters or more  
 (999) Unknown

\_\_\_\_\_ inches X 2.54 = \_\_\_\_\_ centimeters

22. Ground to Rear Hood Opening 200  
 \_\_\_\_\_ Code to the  
 nearest centimeter  
 (000) No front contact  
 (400) 400 centimeters or more  
 (999) Unknown

\_\_\_\_\_ inches X 2.54 = \_\_\_\_\_ centimeters

26. Ground Clearance 000  
 \_\_\_\_\_ Code to the  
 nearest centimeter  
 (000) No side contact  
 (150) 150 centimeters or more  
 (999) Unknown

\_\_\_\_\_ inches X 2.54 = \_\_\_\_\_ centimeters

27. Side Bumper-Bottom Height 000  
 \_\_\_\_\_ Code to the  
 nearest centimeter  
 (000) No side contact  
 (150) 150 centimeters or more  
 (999) Unknown

\_\_\_\_\_ inches X 2.54 = \_\_\_\_\_ centimeters

28. Side Bumper-Top Height 000  
 \_\_\_\_\_ Code to the  
 nearest centimeter  
 (000) No side contact  
 (150) 150 centimeters or more  
 (999) Unknown

\_\_\_\_\_ inches X 2.54 = \_\_\_\_\_ centimeters

29. Centerline of Wheel

Code to the nearest centimeter

- (000) No side contact
- (150) 150 centimeters or more
- (999) Unknown

\_\_\_\_\_ inches X 2.54 = \_\_\_\_\_ centimeters

000

30. Top of Tire

Code to the nearest centimeter

- (000) No side contact
- (200) 200 centimeters or more
- (999) Unknown

\_\_\_\_\_ inches X 2.54 = \_\_\_\_\_ centimeters

000

31. Top of Wheel Well Opening

Code to the nearest centimeter

- (000) No side contact
- (250) 250 centimeters or more
- (999) Unknown

\_\_\_\_\_ inches X 2.54 = \_\_\_\_\_ centimeters

000

32. Bottom of A-Pillar at Windshield

Code to the nearest centimeter

- (000) No side contact
- (250) 250 centimeters or more
- (999) Unknown

\_\_\_\_\_ inches X 2.54 = \_\_\_\_\_ centimeters

000

33. Top of A-Pillar at Windshield

Code to the nearest centimeter

- (000) No side contact
- (300) 300 centimeters or more
- (999) Unknown

\_\_\_\_\_ inches X 2.54 = \_\_\_\_\_ centimeters

000

34. Top of Side View Mirror

Code to the nearest centimeter

- (000) No side contact
- (300) 300 centimeters or more
- (999) Unknown

\_\_\_\_\_ inches X 2.54 = \_\_\_\_\_ centimeters

000

Side Lateral Measurements

35. Centerline to A-Pillar at Bottom of Windshield

Code to the nearest centimeter

- (250) 250 centimeters or more
- (999) Unknown

\_\_\_\_\_ inches X 2.54 = \_\_\_\_\_ centimeters

000

36. Centerline to A-Pillar at Top of Windshield

Code to the nearest centimeter

- (000) No side contact
- (250) 250 centimeters or more
- (999) Unknown

\_\_\_\_\_ inches X 2.54 = \_\_\_\_\_ centimeter

000

37. Centerline to Maximum Side View Mirror Protrusion

Code to the nearest centimeter

- (000) No side contact
- (300) 300 centimeters or more
- (999) Unknown

\_\_\_\_\_ inches X 2.54 = \_\_\_\_\_ centimeter

000

Side Wrap Distance Measurements

38. Ground to Side/Top Transition

Code to the nearest centimeter

- (000) No side contact
- (400) 400 centimeters or more
- (999) Unknown

\_\_\_\_\_ inches X 2.54 = \_\_\_\_\_ centimeters

000

39. Ground to Hood Edge

Code to the nearest centimeter

- (000) No side contact
- (500) 500 centimeters or more
- (999) Unknown

\_\_\_\_\_ inches X 2.54 = \_\_\_\_\_ centimeters

000

40. Ground to Centerline of Hood

000

Code to the nearest centimeter

- (000) No side contact
- (700) 700 centimeters or more
- (999) Unknown

\_\_\_\_\_ inches X 2.54 = \_\_\_\_\_ centimeters

41. Ground to Head Contact

000

Code to the nearest centimeter

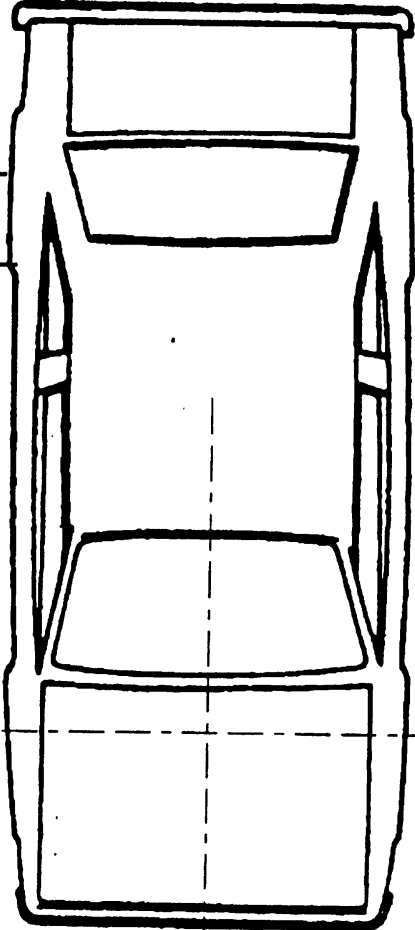
- (000) No side contact
- (800) 800 centimeters or more
- (998) No head contact
- (999) Unknown

\_\_\_\_\_ inches X 2.54 = \_\_\_\_\_ centimeters

VEHICLE DAMAGE SKETCH

VIN 1ME6M62W9TA [REDACTED]

Year 96  
Make Mercury  
Model Cougar



Hood Material Steel  
Bumper Cover Type Rubber  
Bumper Reinforcement Material Steel

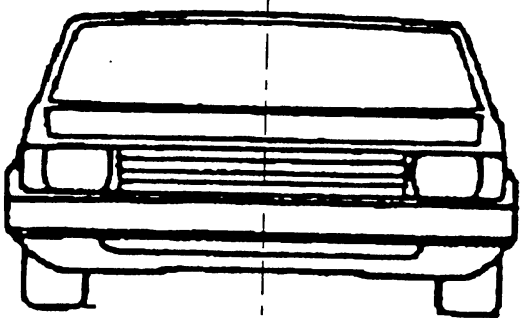
Hood Widths

Rear Opening 159  
Midway 158  
Front Opening 146

126 Hood Length  
10 Bumper lead

Wraps

Top Windshield 280+14  
Bottom Windshield 140+70  
Rear Hood 140+60  
Transition 72  
Front Hood 68



Vertical Heights  
61 Forward Hood Opening  
44 Bumper Top  
34 Bumper Bottom

Location of Origin (Intercept) 140+37  
Head Wrap Measurement 998

